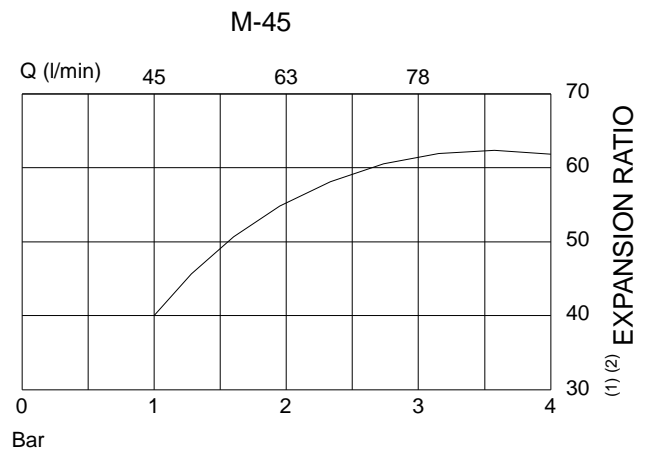
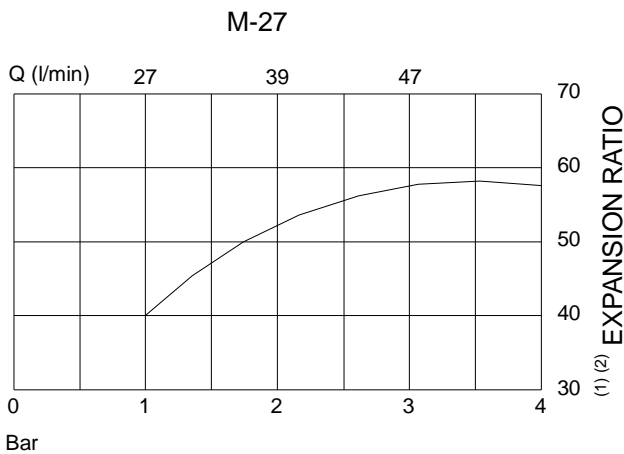
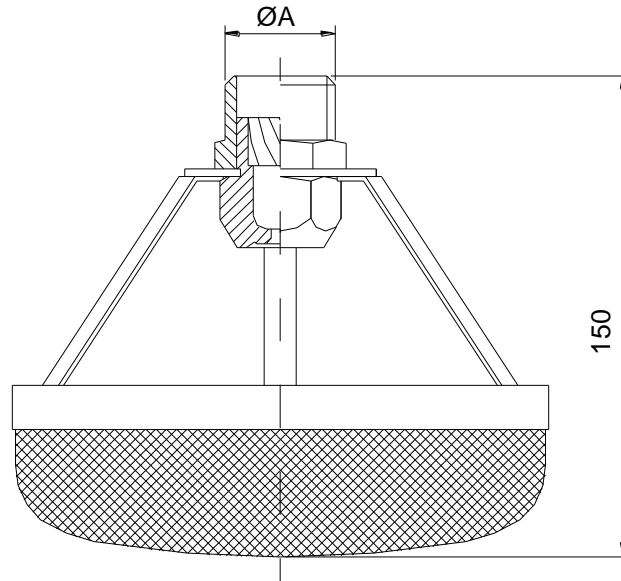


Dimensions in mm



⁽¹⁾ The foam production understands with fresh air, or different indication of foam producer.

⁽²⁾ Depending on foam concentrate type.

Construction features

Body material: stainless steel AISI 316

Nozzle material: brass

Optional

Different connections

Different flow rates

Technical data

Model	K-factor	Ø A BSP	Weight
M 27	27	¾" - M	0.7 kg
M 45	45	1" - M	0.75 kg