

FEATURES

- Available from 2" to 10"
- 1 to 6% induction.
- Usable with river and sea water
- Low maintenance
- Low pressure drop

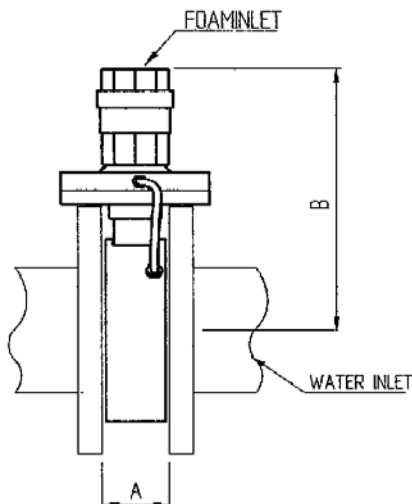
Description

The GB proportioner is a high performance foam proportioner designed for use with foam pumps or bladder tanks. The proportioner comes in sizes from 2 inch up to 10 inch, and is for between flange mounting.

The GB 6"FP is deigned to work with Foam Pumps.

The foam proportioning can be either pre-set to any value between 1 and 6% or we deliver the GB with a adjustable valve for selection of mixing ratio between 1 and 6% Foam pressure min 1 bar over water pressure. Please look at table for foam pump selection below.

K-factor 1 = 1 lpm @ 1 bar
($Q=Kx\sqrt{P}$)



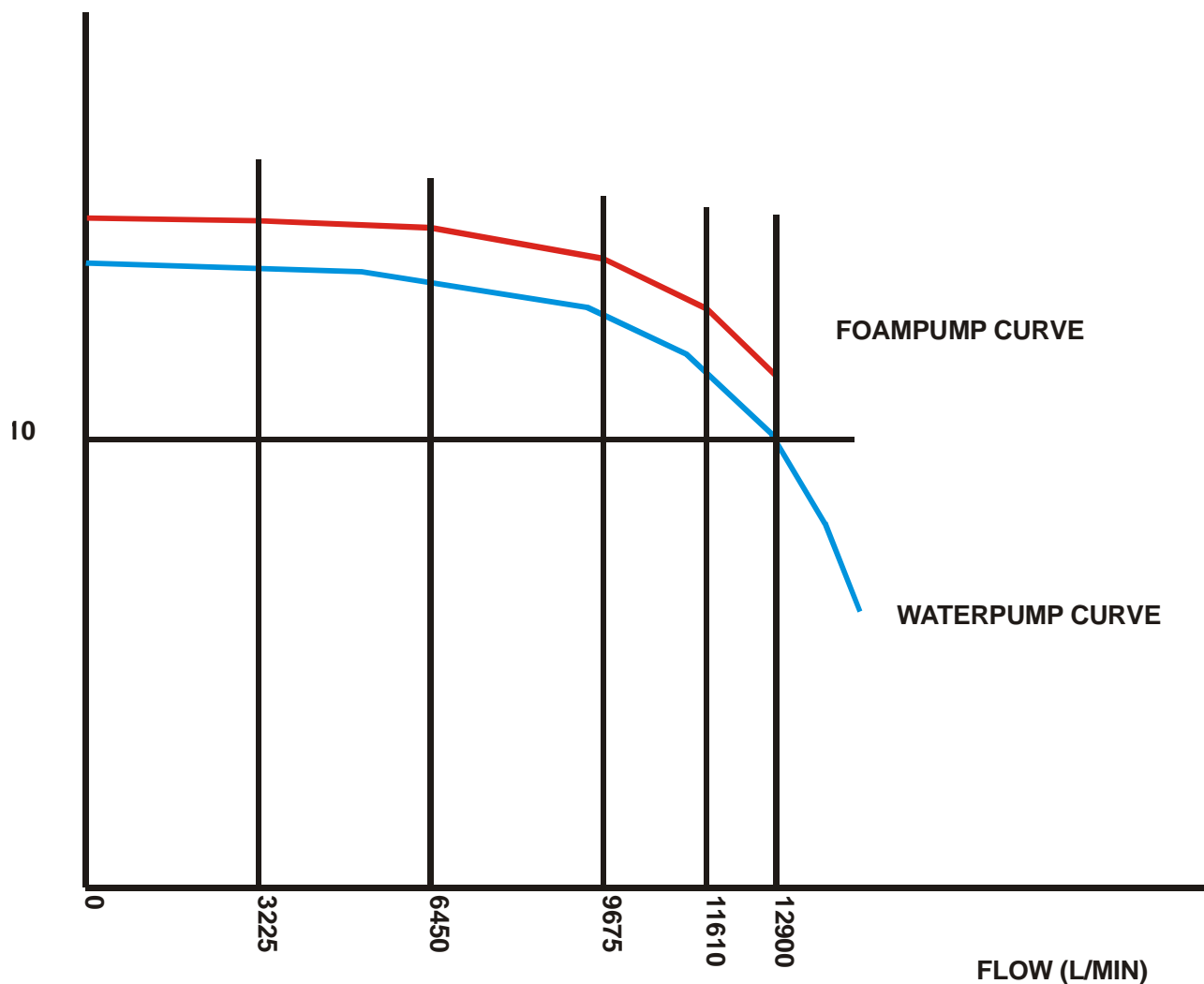
Picture Show GB 4"FP

Technical data

Model	GB 6" FP
Size	DN 150
Foam inlet	DN 50
Flow rate (max)	12900 lpm
Flow rate (min) AFFF/ARC	1100/1850 lpm
Flow range AFFF/ARC	1:12 / 1:7
Proportioning rate	Specify in order
Inlet pressure (max)	16 bar
Inlet pressure (min)	3 bar
K-factor	4090
Flange type	DIN PN16
Between flange proportions	74 mm
Height	310 mm
Weight	14,5 kg
Material	Bronze, Compatible with all foam concentrates

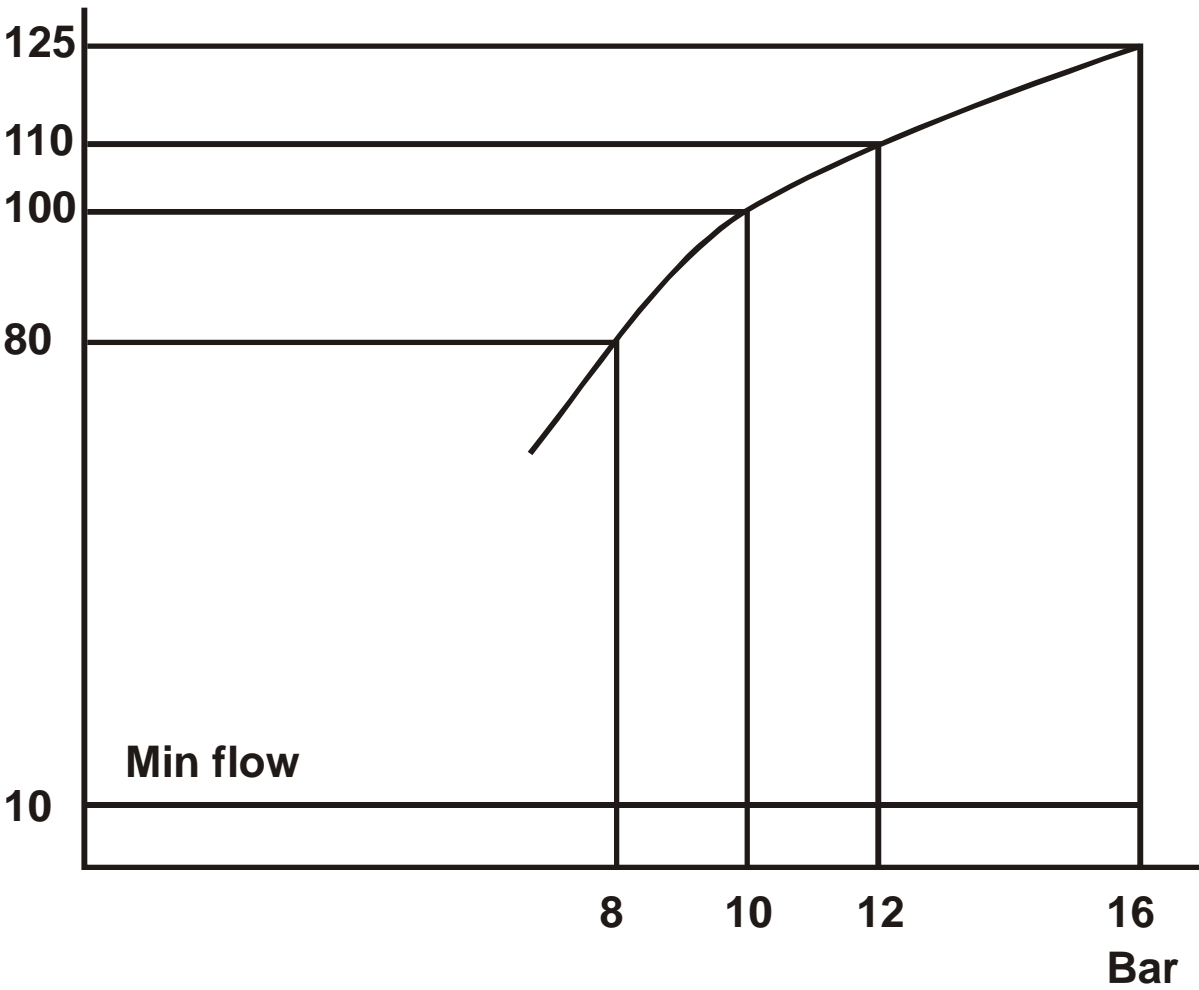
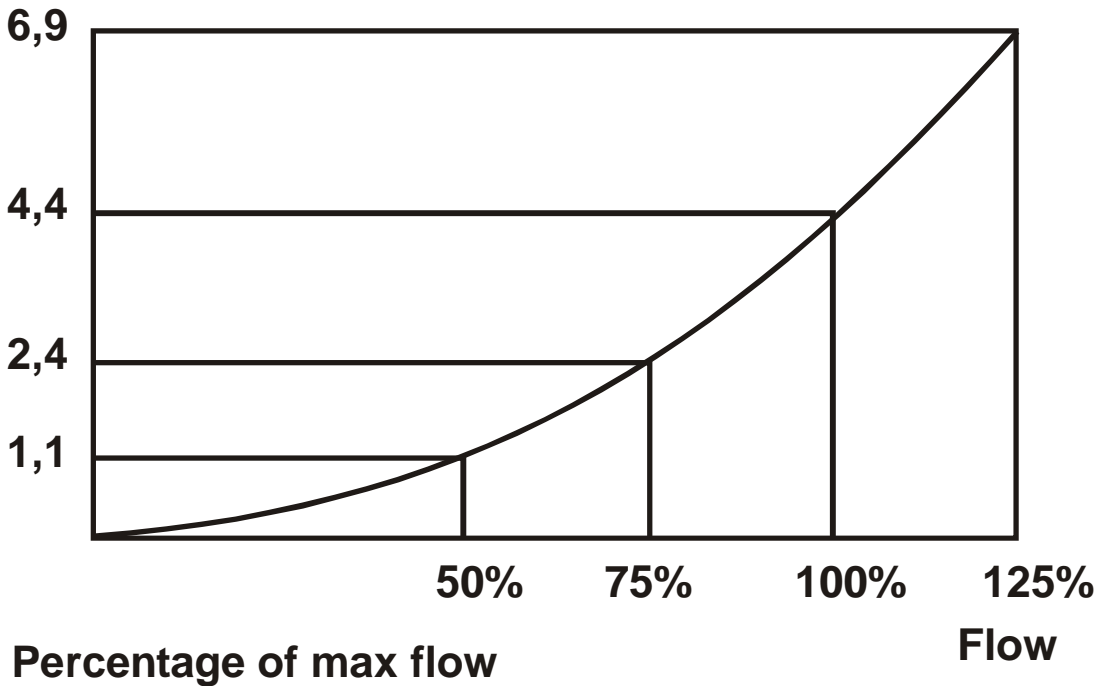
Foam Pump Selection Guidance

PRESSURE (BAR)



WATER FLOW	TOTAL DIFF PRESSURE	RECOMENDED MINIMUM FOAM PRESSURE OVER WATER PRESSURE	DROPLESS CHECK VALVE	DROPLESS BALANCING VALVE	FOAM FLOW
0	1,00	1,00	0,00	0,00	0
3225	1,04	1,00	0,02	0,02	97
6450	1,11	1,00	0,03	0,08	194
9675	1,21	1,00	0,04	0,17	290
11610	1,34	1,00	0,08	0,26	348
12900	1,42	1,00	0,12	0,30	387

Pressure drop (bar)



Proportioning

