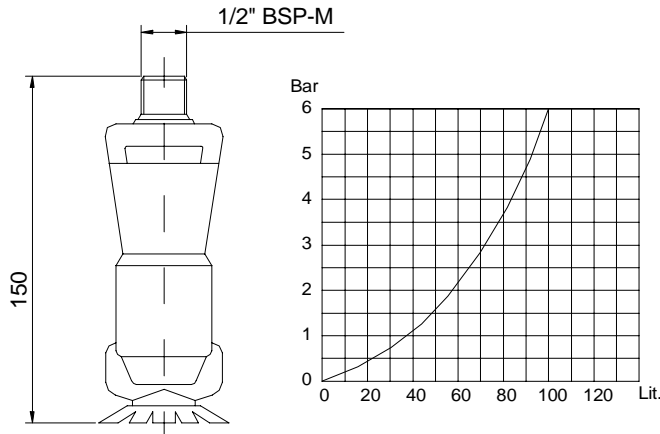
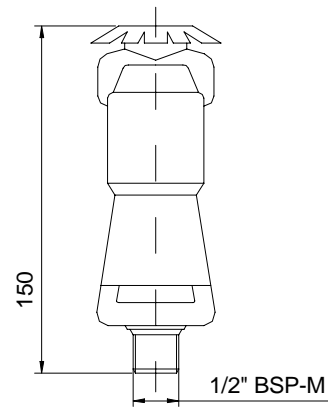


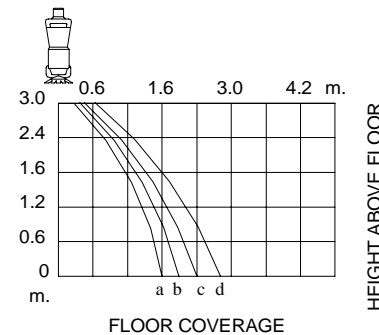
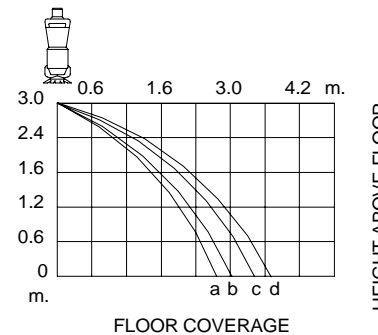
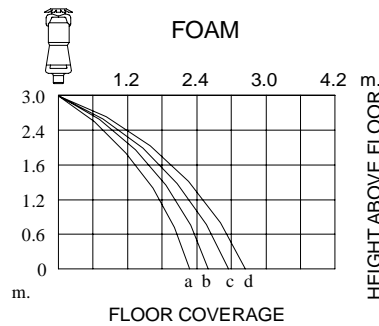
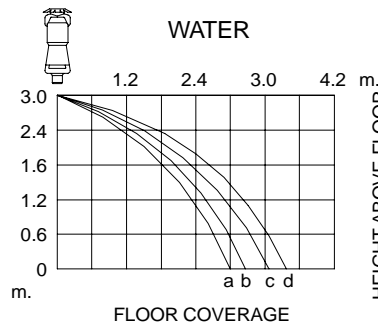
**MODEL PENDENT**



**MODEL UPRIGHT**



Dimensions in mm



a = 2 bar  
 b = 3 bar  
 c = 4.5 bar  
 d = 6 bar

**CONSTRUCTION FEATURES**

Body material: bronze

**OPTIONAL**

Different connections

Different flow rates

MODEL	K FACTOR	EXPANSION RATIO <sup>(1) (2)</sup>	WEIGHT
Pendent/Upright	53.7	1:6	0.551 kg

<sup>(1)</sup> The foam production understands with fresh air, or different indication of foam producer.

<sup>(2)</sup> Depending on foam concentrate type.

Bor is a primordial Norse man, the son of Buri. He married the giantess Bestla, who is a daughter of the frost giant Bolthorn. Bor and Bestla had three children who became the first gods: Odin, Vili, Ve.